

I/O module - AXL F AO4 XC 1H - 2702153

Please be informed that the data shown in this PDF Document is generated from our Online Catalog. Please find the complete data in the user's documentation. Our General Terms of Use for Downloads are valid (<http://phoenixcontact.com/download>)



Axioline F XC, Analog output module, Analog outputs: 4, 0 V ... 5 V, -5 V ... 5 V, 0 V ... 10 V, -10 V ... 10 V, 0 mA ... 20 mA, 4 mA ... 20 mA, connection technology: 2-conductor, transmission speed in the local bus: 100 Mbps, Extreme conditions version, degree of protection: IP20, including bus base module and Axioline F connectors

The figure shows the standard item

Product Description


The module is designed for use within an Axioline F station. It is used to output analog voltage and current signals.

Your advantages

- ✓ 4 analog output channels for the connection of either voltage or current signals
- ✓ Bipolar voltage outputs, unipolar current outputs
- ✓ Connection of actuators in 2-conductor technology
- ✓ Voltage ranges: 0 V ... 10 V, ±10 V, 0 V ... 5 V, ±5 V
- ✓ Current ranges: 0 mA ... 20 mA, 4 mA ... 20 mA
- ✓ Short-circuit-proof outputs
- ✓ No derating in all ranges
- ✓ Short signal rise times
- ✓ Driving of high loads
- ✓ Device rating plate stored
- ✓ Can be used under extreme ambient conditions
- ✓ Extended temperature range of -40 °C ... +70 °C (see "Tested successfully: use under extreme ambient conditions" in the data sheet)
- ✓ Partially coated PCBs



Key Commercial Data

Packing unit	1 pc
GTIN	 4 046356 991315
GTIN	4046356991315

Technical data

Dimensions

I/O module - AXL F AO4 XC 1H - 2702153

Technical data

Dimensions

Width	35 mm
Height	126.1 mm
Depth	54 mm
Note on dimensions	The depth is valid when a TH 35-7,5 DIN rail is used (according to EN 60715).

Ambient conditions

Ambient temperature (operation)	-25 °C ... 60 °C (Standard, applications with UL approval, use in zone 2 potentially explosive area)
	-40 °C ... 70 °C (Extended, see section "Tested successfully: use under extreme ambient conditions" in the data sheet.)
Ambient temperature (storage/transport)	-40 °C ... 85 °C
Permissible humidity (operation)	5 % ... 95 % (non-condensing)
Permissible humidity (storage/transport)	5 % ... 95 % (non-condensing)
Air pressure (operation)	70 kPa ... 106 kPa (up to 3000 m above sea level)
Air pressure (storage/transport)	70 kPa ... 106 kPa (up to 3000 m above sea level)
Degree of protection	IP20

Connection data

Designation	Axioline F connector
Connection method	Push-in connection
Note on the connection method	Please observe the information provided on conductor cross sections in the "Axioline F: system and installation" user manual.
Conductor cross section solid min.	0.2 mm ²
Conductor cross section solid max.	1.5 mm ²
Conductor cross section flexible min.	0.2 mm ²
Conductor cross section flexible max.	1.5 mm ²
Conductor cross section AWG min.	24
Conductor cross section AWG max.	16
Stripping length	8 mm

General

Mounting type	DIN rail
Color	traffic grey A RAL 7042
Net weight	199 g
Note on weight specifications	with connectors and bus base module
Degree of pollution	2 (IEC 60664-1, EN 60664-1)
Mounting position	any (no temperature derating)

Interfaces

Designation	Axioline F local bus
Number of interfaces	2
Connection method	Bus base module
Transmission speed	100 Mbps

I/O module - AXL F AO4 XC 1H - 2702153

Technical data

Axioline potentials

Designation	Axioline F local bus supply (U_{Bus})
Supply voltage	5 V DC (via bus base module)
Current consumption	typ. 120 mA
	max. 150 mA
Power consumption	typ. 0.6 W
	max. 0.75 W
Designation	Supply for analog modules (U_A)
Supply voltage	24 V DC
Supply voltage range	19.2 V DC ... 30 V DC (including all tolerances, including ripple)
Current consumption	typ. 60 mA (4 voltage channels, 10 V output)
	max. 85 mA (4 voltage channels, 10 V output)
	max. 110 mA (4 current channels, 20 mA output, 500 Ω load)
	max. 125 mA (4 current channels, 24 mA output, 500 Ω load)
Power consumption	max. 3 W
Protective circuit	Surge protection electronic (35 V, 0.5 s)
	Reverse polarity protection Polarity protection diode
	Transient protection Suppressor diode

Analog outputs

Number of outputs	4
Connection method	Push-in connection
Connection technology	2-conductor
Note regarding the connection technology	shielded, twisted pair
Output name	Analog outputs
D/A converter resolution	16 bit
Type of protection	Short-circuit and overload protection
	Transient protection
Protective circuit/component	electronic
	Suppressor diode
Data formats	IB IL, S7-compatible
Representation of output values	16 bits (15 bits + sign)
Process data update	140 μ s
Current output signal	0 mA ... 20 mA
	4 mA ... 20 mA
Load/output load current output	\leq 500 Ω
Voltage output signal	0 V ... 5 V
	-5 V ... 5 V
	0 V ... 10 V
	-10 V ... 10 V
Load/output load voltage output	\geq 1 k Ω
Precision	typ. 0.1 % (of output range final value)

I/O module - AXL F AO4 XC 1H - 2702153

Technical data

Electrical isolation

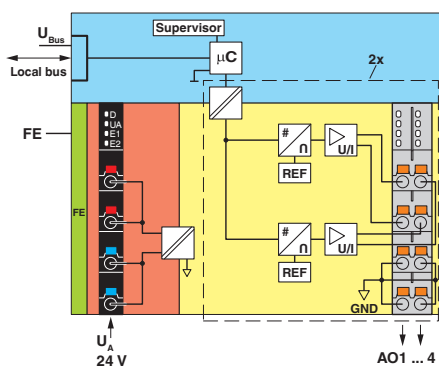
Test section	5 V supply of the local bus (U_{Bus}) / 24 V supply (I/Os) 500 V AC 50 Hz 1 min.
	5 V supply of the local bus (U_{Bus})/analog outputs 500 V AC 50 Hz 1 min.
	5 V supply of the local bus (U_{Bus}) / functional ground 500 V AC 50 Hz 1 min.
	24 V supply (I/O)/analog outputs 500 V AC 50 Hz 1 min.
	24 V supply (I/O) / functional ground 500 V AC 50 Hz 1 min.
	Analog outputs/functional ground 500 V AC 50 Hz 1 min.

Environmental Product Compliance

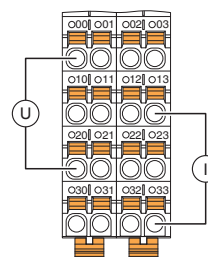
REACH SVHC	Lead 7439-92-1
China RoHS	Environmentally Friendly Use Period = 50 years
	For details about hazardous substances go to tab "Downloads", Category "Manufacturer's declaration"

Drawings

Block diagram



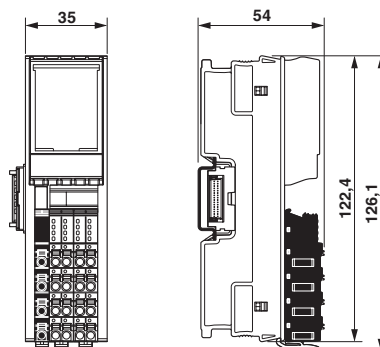
Connection diagram



Connection for voltage and current output

Internal wiring of the terminal points

Dimensional drawing



I/O module - AXL F AO4 XC 1H - 2702153

Classifications

eCl@ss

eCl@ss 10.0.1	27242601
eCl@ss 11.0	27242601
eCl@ss 5.1	27242600
eCl@ss 6.0	27242600
eCl@ss 7.0	27242601
eCl@ss 9.0	27242601

ETIM

ETIM 6.0	EC001596
ETIM 7.0	EC001596

UNSPSC

UNSPSC 13.2	32151602
UNSPSC 18.0	32151602
UNSPSC 19.0	32151602
UNSPSC 20.0	32151602
UNSPSC 21.0	32151602

Approvals

Approvals

Approvals

DNV GL / PRS / BV / LR / KR / NK / BSH / RINA / UL Listed / cUL Listed / cULus Listed

Ex Approvals

ATEX / cULus Listed / IECEx

Approval details

DNV GL		https://approvalfinder.dnvgl.com/	TAA00000DF
--------	---	---	------------

PRS		http://www.prs.pl/	TE/1020/880590/21
-----	---	---	-------------------

I/O module - AXL F AO4 XC 1H - 2702153

Approvals

BV		http://www.veristar.com/portal/veristarinfo/generalinfo/approved/approvedProducts/equipmentAndMaterials	36433/B2 BV
LR		http://www.lr.org/en	LR2001902TA
KR		http://www.krs.co.kr/eng/main/main.aspx	HMB17372-AC002
NK		http://www.classnk.or.jp/hp/en/	14A006
BSH			840
RINA		http://www.rina.org/en	ELE233820XG
UL Listed		http://database.ul.com/cgi-bin/XYV/template/LISEXT/1FRAME/index.htm	FILE E 238705
cUL Listed		http://database.ul.com/cgi-bin/XYV/template/LISEXT/1FRAME/index.htm	FILE E 238705
cULus Listed			

Accessories

Accessories

Device marking

I/O module - AXL F AO4 XC 1H - 2702153

Accessories

Insert label - EMT (35X28)R - 0801602



Insert label, Roll, white, unlabeled, can be labeled with: THERMOMARK ROLLMASTER 300/600, THERMOMARK X1.2, THERMOMARK ROLL X1, THERMOMARK ROLL 2.0, THERMOMARK ROLL, mounting type: snapped into marker carrier, lettering field size: 35 x 28 mm, Number of individual labels: 500

DIN rail connector

Bus connector - AXL F BS H - 2700992



Axioline F bus base module for housing type H

Shield connection

Shield connection - AXL SHIELD SET - 2700518



Axioline shield connection set (contains 2 shield bus holders and 2 SK 5 shield connection clamps)

Terminal marking

Zack marker strip - ZB 20,3 AXL UNPRINTED - 0829579



Zack marker strip for Axioline F (device labeling), in 2 x 20.3 mm pitch, unprinted, 25-section, for individual labeling with B-STIFT 0.8, X-PEN, or CMS-P1-PLOTTER

Zack Marker strip, flat - ZBF 10/5,8 AXL UNPRINTED - 0829580



Zack Marker strip, flat, Strip, white, unlabeled, can be labeled with: PLOTMARK, CMS-P1-PLOTTER, mounting type: snap into flat marker groove, for terminal block width: 10.15 mm, lettering field size: 4 of 10.15 x 5 mm and 1 of 5.8 x 5 mm, Number of individual labels: 50

Phoenix Contact 2021 © - all rights reserved
<http://www.phoenixcontact.com>

PHOENIX CONTACT GmbH & Co. KG
Flachsmarktstr. 8
32825 Blomberg
Germany
Tel. +49 5235 300
Fax +49 5235 3 41200
<http://www.phoenixcontact.com>